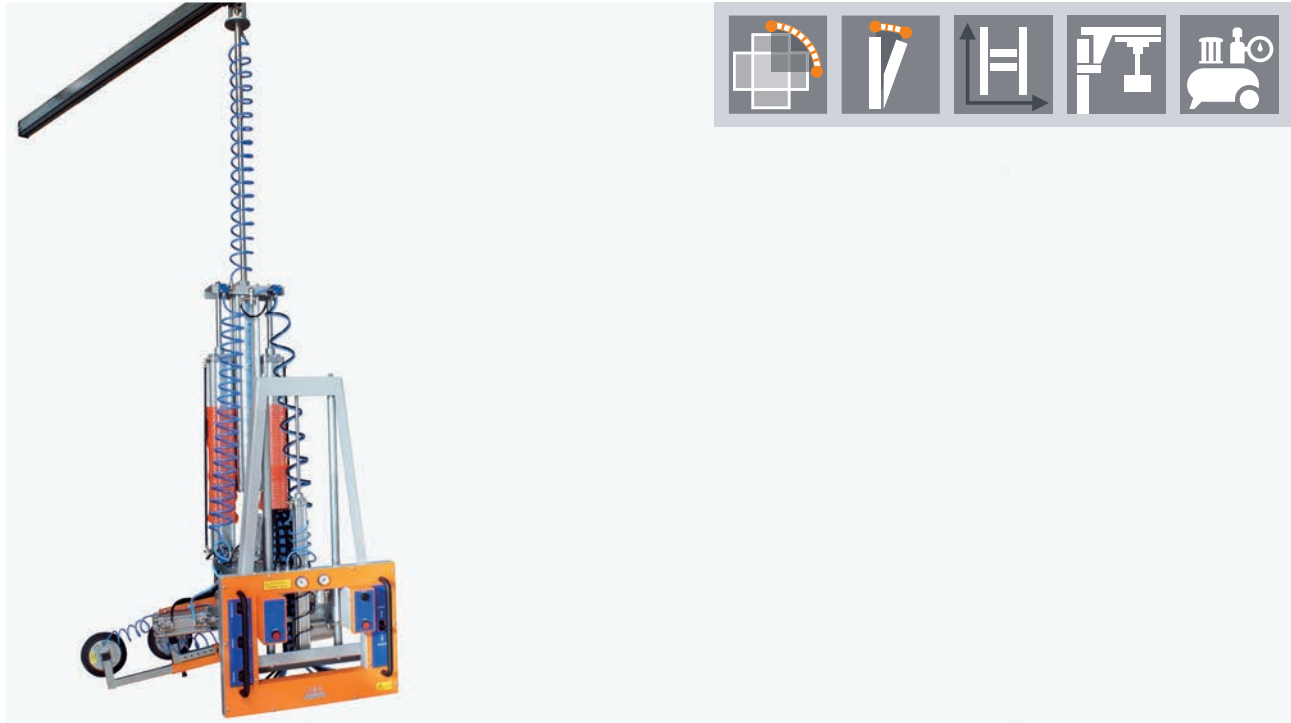


OKTOPUS® ERGO-Pick 150 DN R 660 S TA CA EZU

Handling device for shop floor operation with pneumatic rotating and inclination function



Single circuit system

for shop floor and production according DIN EN 13155 + DIN EN 13035

Application

Handling at vertical glass storage racks and processing machines

Hoist

e.g. indoor cranes, lightweight craneway systems, pillar and wall-mounted slewing cranes

Suspension

Crane eye at the supporting frame

Material to be handled

Flat glass and window elements

Description

The vacuum based load lifting device OKTOPUS® ERGO-Pick 150 DN R 660 S TA CA EZU is designed for vertical handling glass panes and window elements up to a maximum weight of 150 kg within closed rooms. It is equipped with a single trolley (selected by the customer, standard: ABUS), to be attached to an existing single bridge (provided by the customer). The suction frame can be lifted up and down, rotated by 90° as well as inclined by 8° with the help of a pneumatic cylinder. The operating and display elements are arranged ergonomically and allow comfortably positioning and moving the load. The central vacuum generation (ejector) working according to the Venturi principle ensures a high degree of safety. Deviations from the nominal condition are indicated by optical and acoustical warning devices. In case of sudden drop of compressed air, vacuum remains in each suction pad for at least 5 minutes. In this way a secure lowering of the load can always be ensured.

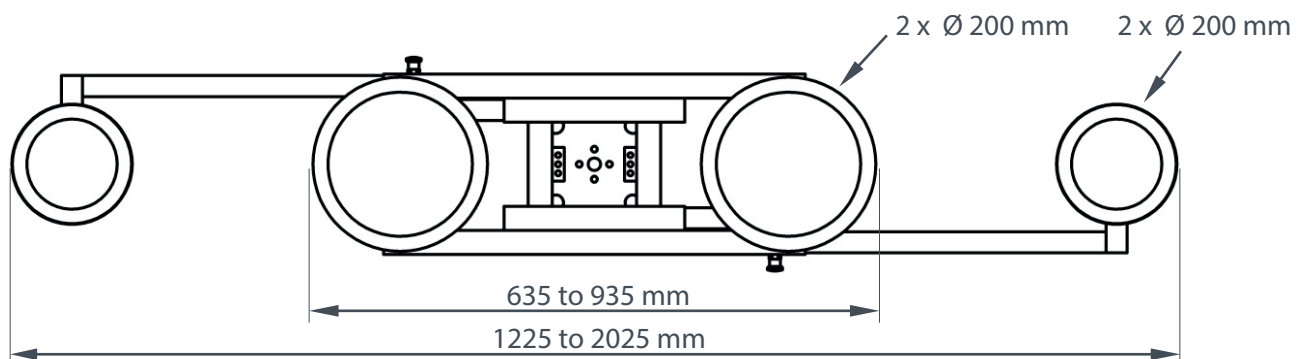
Additionally:

- height-adjustable control panel
- telescopic cylinder



OKTOPUS® ERGO-Pick 150 DN R 660 S TA CA EZU

Application data	
Lifting and lowering:	by pneumatic cylinder (telescopic stroke 1200 mm)
Rotating horizontally	manually 360° in the carriage adapter
Working Load Limit	150 kg
Suction frame: Rotate: Incline:	pneumatically 0 - 90° pneumatically , 0 - 8°
Item no.:	M 08000437
Suction pads:	4 pcs. Ø 200 mm
Vacuum generation:	Ejektor (central), optional ejector (central) with air saving function
Weight:	ca. 100 kg
Power supply: Compressed air connection: consumption:	6 bis 9 bar ca. 125 l/min
Color:	RAL 2011 (deep orange), RAL 9006 (white aluminium)



Subject to change in the interest of technical progress.

DB132_18 Ausg.: 03/18

Headquarter

Wirth GmbH
Brehnaer Straße 1
D-06188 Landsberg
Phone: +49 (0) 34 602 / 70 88 - 0
Fax: +49 (0) 34 602 / 70 88 - 111

Branch Office South

Wirth GmbH
Nelkenstraße 11
D-88074 Meckenbeuren
Phone: +49 (0) 75 42 / 94 29 - 44
Fax: +49 (0) 75 42 / 94 29 - 46

E-Mail:

oktopus@wirth-gmbh.com
info@wirth-gmbh.com

www.wirth-gmbh.com

WIRTH GMBH
EDGE PROFILES & VACUUM LIFTING TECHNOLOGY



MITGLIED IM
IFBS